

1230 ES



SPECIFICATIONS

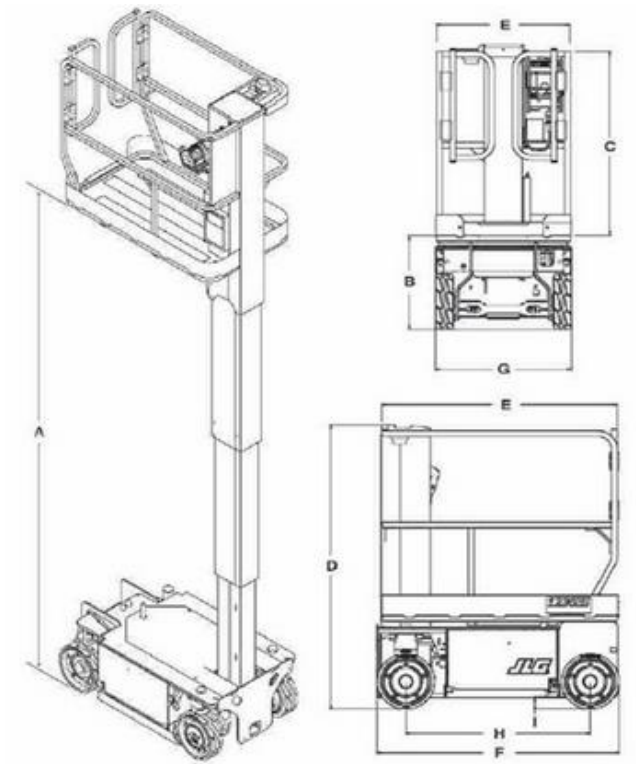
Driveable Vertical Mast Lift

Key Specs

- Machine Width: 2 ft 6 in. / 0.76 m
- Platform Height: 12 ft / 3.66 m

Key Features

- Low maintenance, energy efficient and environmentally clean
- Longer running time than any lift in its class keeps you on the job longer, increasing your productivity
- Lightweight design for transport in freight elevators





SPECIFICATIONS

1230 ES

Dimensional Data

Ground Clearance	3 in. / 0.08 m
Ground Entry Height	1 ft 10 in. / 0.56 m
Machine Height	5 ft 5 in. / 1.65 m
Machine Length	4 ft 6 in. / 1.37 m
Machine Width	2 ft 6 in. / 0.76 m
Platform Dimension A	4 ft 2 in. / 1.26 m
Platform Dimension B	2 ft 3 in. / 0.69 m
Platform Height	12 ft / 3.66 m
Tire Size	100 x 323 (Solid, non-marking)

Reach Specifications

Platform Height	12 ft / 3.66 m
Working Height	18 ft / 5.49 m

Performance

Drive Speed - Platform Elevated	0.50 mph / 0.80 km/h
Drive Speed - Platform Lowered	3 mph / 4.83 km/h
Drive System	24V Electric, 8 hp
Gradeability	25 %
Maximum Drive Height	12 ft / 3.66 m
Maximum Lift Height	12 ft / 3.66 m
Platform Capacity	500 lb / 226.80 kg

General Specifications

Machine Weight (ANSI Export and CSA)	789 kg / 1739.4 lb
--------------------------------------	--------------------

Power Source

Batteries	4 x 6V, 220 A-h
-----------	-----------------