

AERIAL WORK PLATFORMS

Genie® Runabout™ Contractor



Specifications

MODELS	GRC™-12	
MEASUREMENTS	Metric	US
Working height*	5.66 m	18 ft
Platform height	3.66 m	12 ft
A B Platform dimensions (length x width)		
Ext Platform dimensions - retracted	0.97 x 0.75 m	38 x 29.5 in
Ext Platform dimensions - extended	1.40 x 0.75 m	55 x 29.5 in
C Height - stowed	1.70 m	67 in
D Length - stowed	1.37 m	4 ft 5.75 in
E Width	0.80 m	2 ft 7.5 in
F Ground clearance - centre	0.06 m	2.5 in

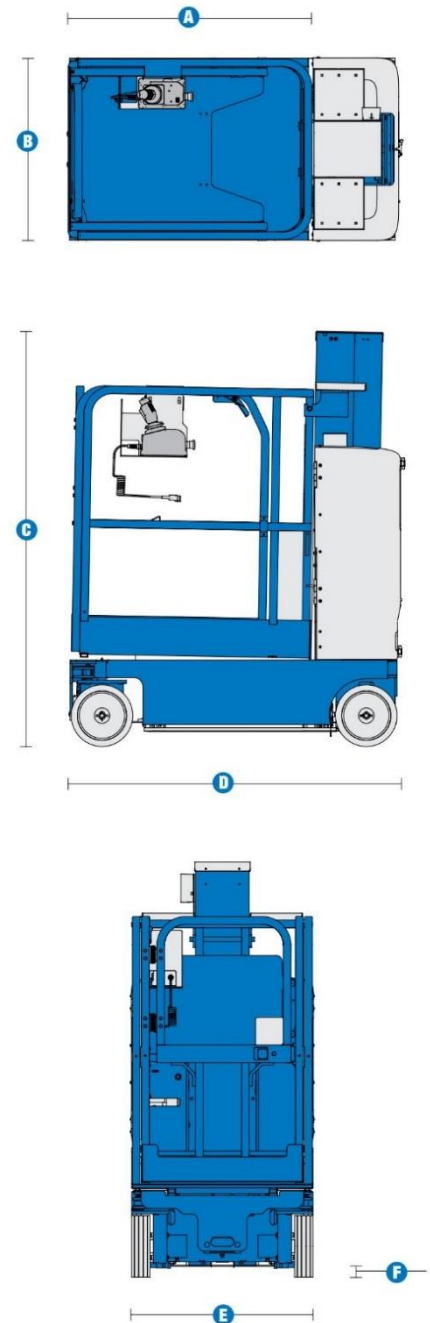
PRODUCTIVITY		
Lift capacity	227 kg	500 lbs
Lift capacity - extension deck	113 kg	250 lbs
Drive speed - stowed	4.0 km/h	2.5 mph
Drive speed - raised	0.8 km/h	0.5 mph
Gradeability**	30%	30%
Turning radius - inside	zero	zero
- outside	1.42 m	4 ft 7 in
Raise / lower speed	12 / 16 sec	12 / 16 sec
Controls	24V DC proportional	
Tyres - solid non-marking	25 x 8 x 20 cm	10 x 3 x 8 in

POWER		
Power source	24V (four 6V 225 Ah batteries)	
Hydraulic system capacity	8.33L	2.2 gal

WEIGHT***		
	948 kg	2,090 lbs

STANDARDS COMPLIANCE ANSI A92.6, CSA B354.2, CE Compliance, AS 1418.10

* The metric equivalent of working height adds 2 m to platform height. U.S. adds 6 ft to platform height.
 ** Gradeability applies to driving on slopes. See operator's manual for details regarding slope rating.
 *** Weight will vary depending on options and/or country standards.



AERIAL WORK PLATFORMS

Genie® Runabout™ Contractor



Features

STANDARD FEATURES

MEASUREMENTS

GRC™-12

- 5.66 m (18 ft) working height
- 3.66 m (12 ft) platform height
- Up to 227 kg (500 lbs) lift capacity

PRODUCTIVITY

- Steel platform and extension deck with swing gate
- Auxiliary platform lowering
- Low 0.39 m (15.5 in) platform entry height
- Steel tube-in-tube mast system
- Compact base 0.75 x 1.37 m (29.5 x 53.75 in)
- Ground clearance 0.06 m (2.5 in) (stowed)
- Fully proportional lift and drive controls
- Battery charge indicator
- Onboard diagnostic system
- Work station trays
- Tilt alarm
- Zero inside turning radius
- Dual wheel brakes
- Hydraulic brake release
- Pothole protection
- Hinged rear ABS covers for easy access to all major electrical and hydraulic components
- Tie down attachment points
- Overhead crane attachment point
- Large forklift pockets access
- Non-marking solid tyres
- Dual flashing beacons
- Motion alarm
- Automotive horn
- Descent alarm

POWER

- Automatic 25 amp battery charger
- 24 V (four 6 V 225 Ah batteries)

OPTIONS & ACCESSORIES

PRODUCTIVITY

- Fluorescent tube caddy

POWER OPTIONS

- 240 V power to platform

