

18RS



SPECIFICATIONS

Telescopic Boom Lift

Key Specs

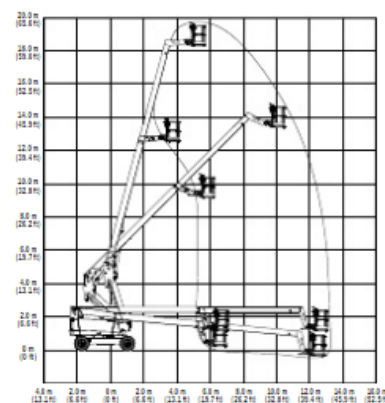
- Platform Height: 18.30 m / 60 ft
- Horizontal Outreach: 13.10 m / 43 ft
- Platform Capacity - Unrestricted: 227 kg / 500.4 lb

Key Features

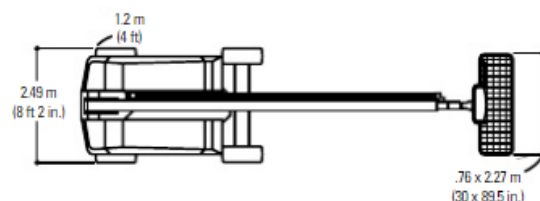
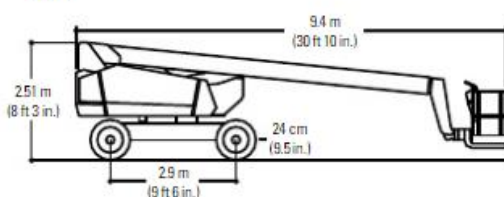
- Simpler, Lighter, Lower Cost
- Fewer cylinders, hoses, fittings, wires, and switches, which contribute to less maintenance and lower cost of ownership
- Transported in a 12.2 m (40 ft) container
- Identical layout to the control panel on other boom products to facilitate training and familiarity between models



18RS



18RS





SPECIFICATIONS

18RS

Power Source	
Capacity - Fuel Tank	83.30 L / 22 gal.
Engine Type - Diesel	Diesel Engine Deutz D2011 L03
Performance Data	
Axle Oscillation	0 m / 0 in.
Drive Speed - 4WD	4.20 km/h / 2.6 mph
Gradeability - 4WD	45 %
Platform Capacity - Unrestricted	227 kg / 500.4 lb
Swing	355 Degrees
Swing Type	Non-Continuous
Turning Radius - Outside	6.50 m / 21.3 ft
Dimensional Data	
Ground Clearance	0.24 m / 9 in.
Machine Height	2.51 m / 8.2 ft
Machine Length	9.40 m / 30.8 ft
Machine Width	2.49 m / 8.2 ft
Platform Dimension A	0.76 m / 2.5 ft
Platform Dimension B	2.27 m / 7.4 ft
Platform Height	18.30 m / 60 ft
Tailswing	1.20 m / 3.9 ft
Tire Size	33.5 x 12-20 Foam-Filled
Deck Width	0 Degrees
Reach Specifications	
Horizontal Outreach	13.10 m / 43 ft
Platform Height	18.30 m / 60 ft
General Specifications	
Capacity - Hydraulic Reservoir	136.30 L / 36 gal.
Ground Bearing Pressure	5.34 Kg/cm ²
Machine Weight	7348 kg / 16199.6 lb