

4069 LE



SPECIFICATIONS

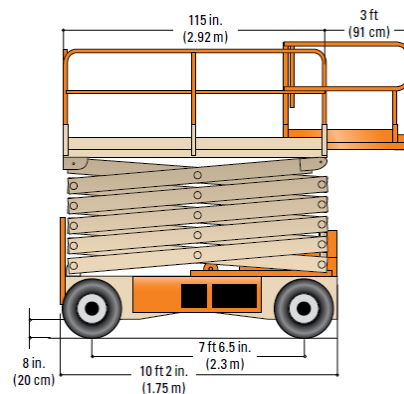
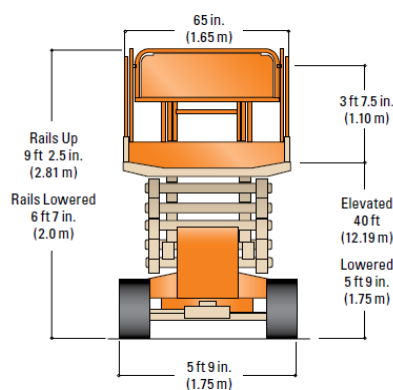
Electric Scissor Lift

Key Specs

- Machine Width: 5 ft 9 in. / 1.75 m
- Platform Capacity: 800 lb / 362.87 kg
- Platform Height: 40 ft / 12.19 m

Key Features

- Superior performance on or off slab
- Rugged terrain tires take you anywhere you want to go
- With optional hydraulic leveling jacks, uneven terrain is no problem
- Double the duty cycle of other scissor lifts so you can stay on the job longer





SPECIFICATIONS

4069 LE

Power Source	
Batteries	8 x 6V, 370 amp-hr
Charger	21 Amp Automatic SCR
General	
Brakes	Spring Applied Hyd Released Discs
Capacity - Hydraulic Reservoir	8 gal. / 32.18 L
Ground Bearing Pressure	61 psi / 4.27 Kg/cm ²
Hydraulic Pump	Single Section Gear Pump
Machine Weight	10560 lb / 4789.94 kg
Performance	
Drive Speed - Platform Elevated	0 mph / 0.64 km/h
Drive Speed - Platform Lowered	3 mph / 4.83 km/h
Gradeability - 2WD	35 %
Gradeability - 4WD	45 %
Lift Time	54 sec.
Lower Time	50 sec.
Maximum Drive Height	30 ft / 9.14 m
Maximum Lift Height	40 ft / 12.19 m
Outriggers or Stabilizers	No
Platform Capacity	800 lb / 362.87 kg
Platform Capacity - Extension	250 lb / 113.40 kg
Turning Radius - Outside	15 ft 6 in. / 4.72 m
Dimensional Data	
Ground Clearance	8 in. / 0.2 m
Machine Height	9 ft 2 in. / 2.81 m
Machine Height - Rails Folded	6 ft 7 in. / 2.01 m
Machine Length	10 ft 4 in. / 3.15 m
Machine Width	5 ft 9 in. / 1.75 m
Platform Dimension A	9 ft 7 in. / 2.92 m
Platform Dimension B	5 ft 5 in. / 1.65 m
Platform Extension Length	3 ft / 0.91 m
Platform Height	40 ft / 12.19 m
Platform Height - Lowered	5 ft 9 in. / 1.75 m
Platform Railing Height	3 ft 8 in. / 1.1 m
Tire Size	240/55 x 17.5 Non-Marking
Wheelbase	7 ft 6 in. / 2.3 m
Reach Specifications	
Platform Height	40 ft / 12.19 m
Working Height	46 ft / 14.02 m