

41AM



SPECIFICATIONS

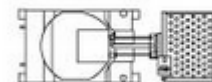
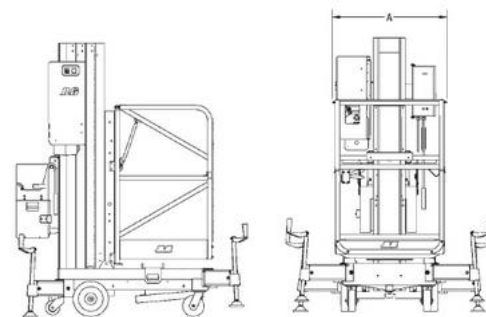
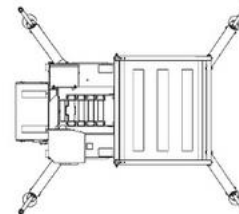
Push Around Vertical Mast Lift

Key Specs

- Machine Width: 0.74 m / 2 ft
- Platform Height: 12.42 m / 41 ft

Key Features

- Most rigid mast in the industry for operator comfort and stability
- Six-wheel design for improved manoeuvrability
- Long battery duty cycles and an automatic charger for more productivity





SPECIFICATIONS

41 AM

Dimensional Data

Wheel Size - Front Caster	6 x 2"
Ground Entry Height	1 ft 7 in. / 0.48 m
Machine Height	8 ft 8 in. / 2.64 m
Machine Length	4 ft 10 in. / 1.46 m
Machine Width	2 ft 5 in. / 0.74 m
Outrigger Footprint Length	6 ft 7 in. / 2.01 m
Outrigger Footprint Width	6 ft 7 in. / 2.01 m
Platform Dimension A	2 ft 2 in. / 0.66 m
Platform Dimension B	2 ft 2 in. / 0.65 m
Platform Height	40 ft 9 in. / 12.42 m
Wheel Size - Rear	10 x 2"

Reach Specifications

Platform Height	40 ft 9 in. / 12.42 m
Working Height	47 ft / 14.33 m

Performance

Outriggers Up Max Lift Height	41 ft / 12.44 m
Outriggers or Stabilizers	Yes
Platform Capacity	300 lb / 136.08 kg

General

Machine Weight-AC	1100 lb / 498.95 kg
Machine Weight-DC	1230 lb / 557.92 kg