

# E33 MJ



## SPECIFICATIONS

### Mast Boom Lift



#### Reach Specifications

	E18MJ	T26E	E33MJ
<b>Platform Height</b>	18 ft 1 in. (5.51 m)	26 ft 5 in. (8.05 m)	32 ft 9 in. (9.98 m)
<b>Horizontal Outreach</b>	9 ft (2.74 m)	8 ft 8 in. (2.64 m)	14 ft 6 in. (4.42 m)
<b>Up and Over Height</b>	14 ft (4.27 m)	22 ft (6.71 m)	23 ft 6 in. (7.16 m)
<b>Swing</b>	360 Degrees Non-continuous	360 Degrees Non-continuous	360 Degrees Non-continuous
<b>Platform Capacity</b>	500 lb (227 kg)	500 lb (227 kg)	500 lb (227 kg)

#### Dimensional Data

	E18MJ	T26E	E33MJ
<b>Platform Size</b>	27.5 x 35.4 in. (70 x 90 cm)	27.5 x 35.4 in. (70 x 90 cm)	27.5 x 43.3 in. (70 x 110 cm)
<b>Stowed Height</b>	6 ft 6.5 in. (1.99 m)	6 ft 6.5 in. (1.99 m)	6 ft 6.5 in. (1.99 m)
<b>Stowed Width</b>	39 in. (99 cm)	45 in. (1.14 m)	47.2 in. (120 cm)
<b>Stowed Length</b>	9 ft 6 in. (2.89 m)	9 ft 1 in. (2.77 m)	12 ft 7 in. (3.85 m)
<b>Tailswing</b>	4 in. (10 cm)	4 in. (10 cm)	6 in. (15 cm)
<b>Wheelbase</b>	4 ft 3 in. (1.3 m)	3 ft 11 in. (1.2 m)	5 ft 3 in. (1.60 m)
<b>Weight</b>	5,952 lb (2,700 kg)	6,834 lb (3,100 kg)	11,574 lb (5,250 kg)
<b>Ground Bearing Pressure</b>	178 psi (12.3 kg/cm <sup>2</sup> )	256 psi (18.0 kg/cm <sup>2</sup> )	287 psi (20.0 kg/cm <sup>2</sup> )
<b>Ground Clearance</b>	3 in. (8 cm)	3 in. (8 cm)	3 in. (8 cm)

#### Chassis

	E18MJ	T26E	E33MJ
<b>Drive Speed Stowed</b>	2.5 mph (4.0 kmph)	3.4 mph (5.5 kmph)	2.2 mph (3.6 kmph)
<b>Drive Speed Elevated</b>	0.43 mph (0.7 kmph)	0.43 mph (0.7 kmph)	0.43 mph (0.7 kmph)
<b>Gradeability</b>	20%	25%	20%
<b>Tire Size</b>	16 x 5 x 10.5	125 x 406	18 x 7 x 12.12
<b>Turning Radius (Inside)</b>	0 in. (0 m)	1 ft 10 in. (0.55 m)	60 in. (1.53 m)
<b>Turning Radius (Outside)</b>	5 ft 9 in. (1.75 m)	6 ft 11 in. (2.10 m)	10 ft 6 in. (3.20 m)

#### Power Source

	E18MJ	T26E	E33MJ
<b>Battery</b>	24V, 300 amp-hr	24V, 240 amp-hr	24V, 930 amp-hr
<b>Battery Charger – Output</b>	25 amps	25 amps	55 amps
<b>Brakes</b>	Spring Applied	Spring Applied	Spring Applied

#### Features

**110V-AC Receptacle in the Platform**  
**360 Degree Non-continuous Swing**  
**Emergency Lowering Pump**  
**Proportional Controls**  
**5 Degree Tilt Alarm/Indicator Light**  
**Dual Warning Beacons**

**Battery Condition Indicator**  
**All Motion Alarm**  
**Hourmeter**  
**Lifting Eyes**  
**Tie-down Lugs**  
**Horn**

#### Accessories & Options

**½ in. Airline to Platform\***  
**Platform Work Lights\***

\* Airline and Platform Work Lights are not available in combination.

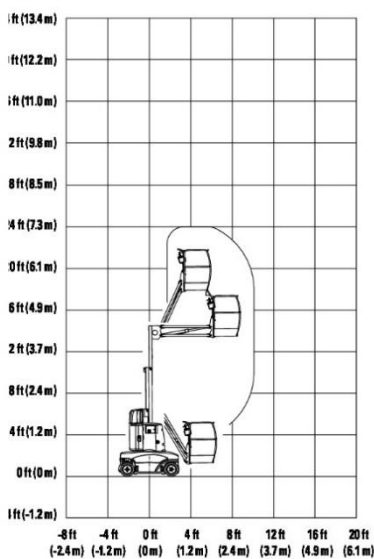
## SPECIFICATIONS

## E33 MJ

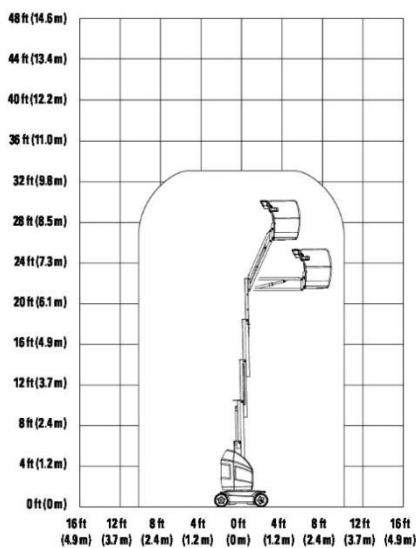
### MODELS

## Mast Boom Lift

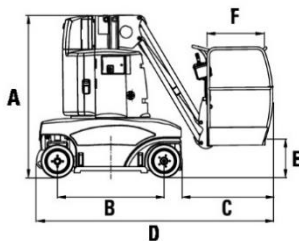
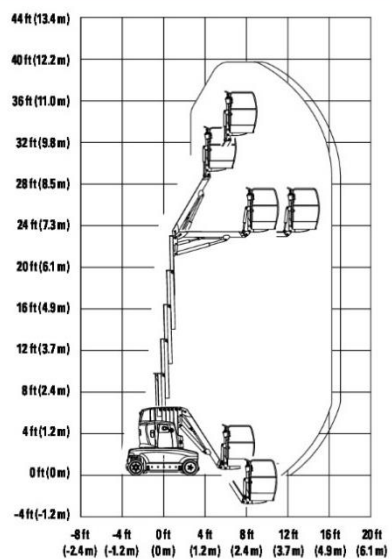
### E18MJ



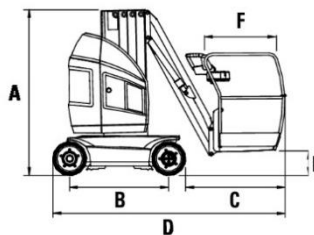
### T26E



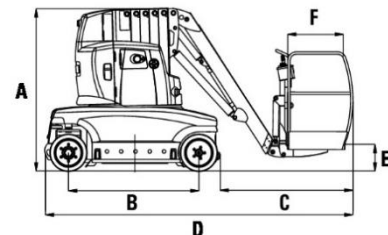
### E33MJ



- A. 6 ft 6.5 in. (1.99 m)
- B. 4 ft 3 in. (1.30 m)
- C. 3 ft 8 in. (1.12 m)
- D. 9 ft 6 in. (2.9 m)
- E. 18.5 in. (47 cm)
- F. 27.5 in. (70 cm)



- A. 6 ft 6.5 in. (1.99 m)
- B. 3 ft 11 in. (1.20 m)
- C. 3 ft 8 in. (1.12 m)
- D. 9 ft 1 in. (2.77 m)
- E. 18.5 in. (47 cm)
- F. 27.5 in. (70 cm)



- A. 6 ft 6.5 in. (1.99 m)
- B. 5 ft 3 in. (1.60 m)
- C. 5 ft 7 in. (1.7 m)
- D. 12 ft 7 in. (3.85 m)
- E. 16 in. (40 cm)
- F. 27.5 in. (70 cm)