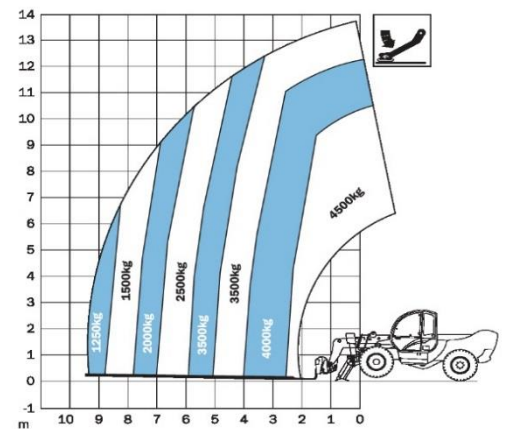
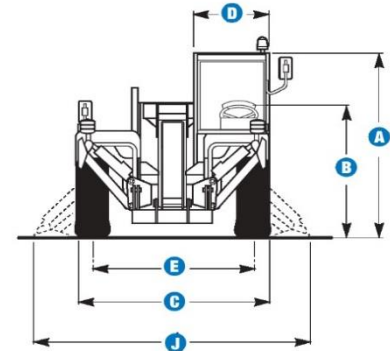
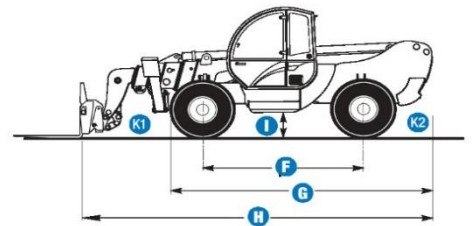


Specifications

MODEL		GTH-4514	
MEASUREMENTS		Metric	Imperial
Lifting height (max)		13.7 m	44 ft 9 in
Lifting capacity (max)		4,500 kg	9,920 lbs
Lift capacity at maximum height		3,500 kg	7,716 lbs
Lift capacity at maximum reach		1,250 kg	2,755 lbs
Forward reach (max)		9.3 m	30 ft 5 in
Reach at maximum height		0.85 m	2 ft 7 in
A Height		2.56 m	8 ft 4 in
B Height at steering wheel		1.92 m	6 ft 3 in
C Width		2.33 m	7 ft 6 in
D Inside cab width		0.91 m	3 ft
E Track		1.92 m	6 ft 3 in
F Wheelbase		2.85 m	9 ft 3 in
G Length at front wheels		4.52 m	14 ft 8 in
H Length at fork-holder plate		5.99 m	19 ft 6 in
I Ground clearance		0.46 m	1 ft 5 in
J Overall width, stabilisers extended		2.93 m	9 ft 6 in
K1 Obstruction angle		39°	39°
K2 Departure angle		45°	45°
PRODUCTIVITY			
Lifting/lowering speed		17 sec./16 sec.	17 sec./16 sec.
Extension/retraction speed		25 sec./19 sec.	25 sec./19 sec.
Inside/outside turning radius		1.30 m/3.99 m	4 ft 2 in/13 ft 1 in
Break out force (with 800L shovel SAE J 732/80)		7,400 kg	16,314 lbs
Towing capacity at dynamometer		8,300 kg	18,298 lbs
Travel speed		35 km/h	22 mph
Gradeability (Unloaded)		40%	40%
(Full Load)		25%	25%
Fork-holder plate rotation		145°	145°
Floating forks		L 1200 mm Section 120x50 mm	L 3 ft 9 in Section 5 in x 2 in
Tyres (DIN 70361)			405/70-20" 8 hole rim
POWER			
Engine		Perkins turbo Diesel, direct injection, low emissions. Water cooled, 4 cylinders Power 74.4 kw (101 Hp)	
Tank capacities			
Fuel		135 L	29.7 gal
Engine oil		11.5 L	2.5 gal
Coolant		15 L	3.3 gal
Hydraulic oil		150 L	33 gal
WEIGHT			
Weight*		11,400 kg	25,132 lbs
STANDARDS COMPLIANCE			
		Operating cab conforms to EEC directives 86/295 (ROPS) and 86/296 (FOPS)	



Lift capacity chart (with stabilisers)

* Weight will vary depending on options and/or country standards

EN1459
AS1418-19



ROUGH TERRAIN TELESCOPIC BOOM MATERIAL HANDLER
GTH-4514

Features

STANDARD FEATURES

MEASUREMENTS

- 4,500 kg (9,920 lbs) maximum lift capacity
- 13.7 m (44 ft 9 in) maximum lift height
- 9.3 m (30 ft 5 in) maximum forward reach

PRODUCTIVITY

- Four-wheel drive
- 3 steering modes:
 - front wheel steer
 - crab steer
 - coordinated steer
- Oscillating rear axle with axle lock out
- Front hydraulic outriggers
- Chassis levelling on front axle (+or-8°)
- Limited slip differential
- Closed loop hydrostatic drive for smooth and precise positioning
- Multi function – electroproportional joystick
- Brakes: multi-disc, oil immersed, self adjusting
- Power assisted steering
- Easy access to components for maintenance
- Floating forks
- Attachment holder plate with mechanical coupling
- Adjustable steering wheel
- Fully adjustable seat
- Lockable fuel tank
- Quick coupling of tools from cab
- Windshield protection grid
- Longitudinal stability control system with: visual display with coloured LEDs, audible alarm, automatic lockout of boom extension and lowering.
- Lockout of stabilisers and chassis levelling with boom raised.

POWER

- Perkins turbo Diesel, direct injection, low emissions. Water cooled, 4 cylinders
Power 74.4 kw (101 Hp)



OPTIONS & ACCESSORIES

PRODUCTIVITY

- Air conditioning
- Spare wheel
- Adjustable spotlights
- Tyres and rims (405/70-24)
- Load management system

ATTACHMENT OPTIONS

A large range of attachments are currently available. Please contact Genie or your nearest Genie telehandler dealer.

Genie Australia

591 Boundary Road, Darra, Qld 4076
PO Box 394, Richlands, Qld 4077
Tel: + 61 7 3375 1660
Toll Free In Australia: 1800 331 660
Fax: + 61 7 3375 1002

European Offices

UK

The Maltings
Wharf Road
Grantham NG31 6BH
UK
Tel: +44 (0)1476 584333
Fax: +44 (0)1476 584334

France

10, ZA de la Croix St. Mathieu
28320 Gallardon
France
Tel: +33 (0)2 37 26 09 99
Fax: +33 (0)2 37 26 09 98

Germany

Finienweg 3
28832 Achim/Bremen
Germany
Tel: +49 (0)4202 8852-0
Fax: +49 (0)4202 8852-25

Spain

Gai`a 31, Pol. Ind. Pl`a d'en Coll
08110 Montcada i Reixac
Barcelona
Spain
Tel: +34 93 572 50 90
Fax: +34 93 572 50 91

Scandinavia

Tagenevägen 72
425 37 Hisings Kärra
Sweden
Tel: +46 31 57 51 00
Fax: +46 31 57 90 20

Genie United States

18340 NE 76th Street
P.O. Box 97030
Redmond, Washington 98073-9730
USA
Tel: +1 425 881-1800
Fax: +1 425 883-3475

WEB: www.genieindustries.com.au

Distributed By: