

# SAKAI®

# SV520

Series

Soil Compactor

**New**



**SV520D**

## Vibratory Single Drum Roller

The innovatively designed SV520 is applicable to medium to large soil compaction jobs. The SV520 includes new roller features and optimizes job profitability through efficiency.

### Proven Compactive Performance

- Roller compactive force reaches target density in less number of roller passes.
- Provides higher centrifugal force and amplitude.
- Achieves uniform compaction throughout lift thickness.

### Low Operating Costs

- Sakai's new *Eco compaction mode (ECM)*, which reduces fuel consumption up to 20%, while maintaining compactive performance.
- Quality and durable components such as hydraulics, drum, center-pin hitch provide less maintenance.

### Operator Comfort and Safety

- Includes Sakai's durable dual rubber isolation system between the drum and operator deck.
- Extremely quiet operator station with noise levels as low as 87 dB(A).



**SV520T**



**SV520DF**



**SV520TF**

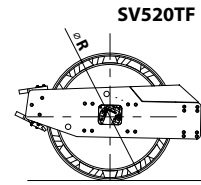
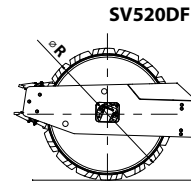
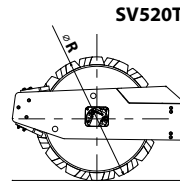
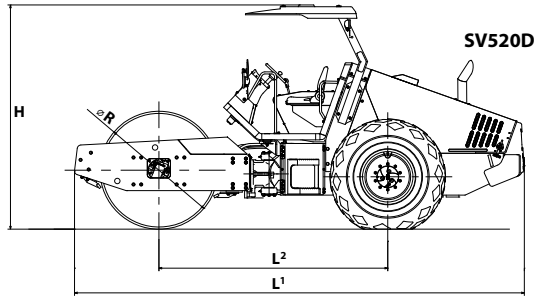
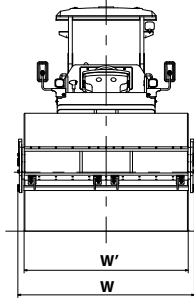
If you need any technical or service parts support on our products, please contact this web page.

**SERVICE  
HOTLINE**

[www.sakainet.co.jp/english/](http://www.sakainet.co.jp/english/)

The photos may contain optional equipment and/or attachment.

# SV520 Series



TYPE			Vibratory Single Drum Roller				
MODEL			SV520D	SV520T	SV520DF	SV520TF	
CHASSIS MODEL			2SV31				
<b>WEIGHTS</b>	Operating weight (with Awning)	kg (lbs)	10,100 (22,265)	10,530 (23,215)	11,840 (26,100)	12,810 (28,245)	
	Load on front axle (operating weight with Awning)	kg (lbs)	5,400 (11,905)	5,790 (12,765)	7,140 (15,740)	8,080 (17,815)	
	Load on rear axle (operating weight with Awning)	kg (lbs)	4,700 (10,360)	4,740 (10,450)	4,700 (10,360)	4,730 (10,430)	
<b>PERFORMANCE</b>	Centrifugal force (L/H)	kN (lbs)/kgf	172 / 255 (38,665 / 57,325) [17,551 / 26,020]				
	Frequency (L/H)	Hz(vpm)	33.3 / 28.3 (2,000 / 1,700)				
	Amplitude (L/H)	mm (in)	1.02 / 2.09 (0.04 / 0.08)	0.95 / 1.94 (0.04 / 0.08)	0.73 / 1.50 (0.03 / 0.06)	0.62 / 1.27 (0.02 / 0.05)	
	Dynamic linear pressure for front drum (operating weight with Awning) [L/H]	N/cm (lb/in)	1,056 / 1,446 (608 / 833)	1,074 / 1,464 (618 / 843)	1,136 / 1,526 (654 / 879)	1,179 / 1,569 (679 / 904)	
	No. of speeds		2				
	Speed range (L / H)	km/h (mph)	0 - 6 / 0 - 10 (0 - 3.7 / 0 - 6.2)				
	Gradability	% (°)	62 (32)		53 (28)	49 (26)	
	Min. turn radius (outer)	m (in)	5.6 (221)				
	<b>DIMENSIONS</b>	Overall length <b>L<sup>1</sup></b>	mm (in)	5,840 (230)			
		Overall width <b>W</b>	mm (in)	2,295 (90)			
Overall height (without Awning)		mm (in)	2,190 (86)	2,175 (86)	2,195 (86)	2,180 (86)	
Overall height (with Awning) <b>H</b>		mm (in)	2,910 (115)	2,925 (115)	2,945 (116)	2,935 (116)	
Wheelbase <b>L<sup>2</sup></b>		mm (in)	2,970 (117)				
Compaction width <b>W'</b>		mm (in)	2,130 (84)				
Drum width <b>W'</b> / Drum diameter <b>R</b>		mm (in)	2,130 / 1,530 (84 / 60)	2,130 / 1,600 (84 / 63)	2,130 / 1,708 (84 / 67)	2,130 / 1,650 (84 / 65)	
Pad height		mm (in)	–	100 (4.0)	75 (3.0)	100 (4.0)	
No. of pads		pcs.	–	140	160	140	
Shell thickness		mm (in)	25 (1.0)	22 (0.9)	25 (1.0)	22 (0.9)	
Tire size x No. of tires			23.1-26-8 PR (OR) x 2				
Inflation (each wheels)		kPa (psi)	137 (19.9)				
Ground clearance		mm (in)	405 (15.5)		390 (15.0)	400 (15.5)	
Curb clearance		mm (in)	500 (19.5)	520 (20.0)		535 (21.0)	
Side clearance	mm (in)	82.5 (3.4)					
<b>ENGINE</b>	Make		ISUZU				
	Model		4BG1T (EPA-Tier2)				
	Type		Diesel, water cooled, 4 cycle, 4 cylinder, with turbo charger				
	Displacement	L(cu.in)	4.329 (264.2)				
	Rated output	kW (HP)/min <sup>-1</sup>	83.3 (112) / 2,100				
	Electric system battery	V (V/Ah x Qty)	24 (12 / 100 x 2)				
	Electric system alternator	V/A	24 / 50				
	<b>POWER LINE</b>	Transmission		Hydrostatic transmission			
Type			Hydraulic				
Drive wheel			All Wheel				
<b>VIBRATION SYSTEM</b>	Drive		Hydrostatic				
	No. of amplitude		2				
	Vibrator		Eccentric shaft type				
<b>BRAKE SYSTEM</b>	Service (working)		Hydrostatic dynamic brake through drive system / FNR Lever				
	Secondary (emergency)		Hydrostatic + Spring-applied hydraulically released (SAHR) / Brake pedal				
	Parking (parking)		SAHR / Panel button				
<b>STEERING SYSTEM</b>	Type		Hydraulic type (Articulated)				
	Articulation / Oscillation	± (°)	37 / 9.0				
<b>FLUID CAPACITY</b>	Fuel tank	L (gal)	265 (70)				
	Hydraulic tank	L (gal)	50 (13)				

- Operating Weight : 100 % Fuel, 100 % Water, no Operator.
- Specifications are subject change without notice.
- Above specified numbers could be deviated within ± 5 %.
- All units are SI units. Inside of ( ) is for reference units.
- The photos may contain optional equipment and/or attachment.

※ Engine meets EPA ( Tier 2 ) standards.



SAKAI HEAVY INDUSTRIES, LTD. obtain the certification of quality management system ISO9001.



**SAKAI HEAVY INDUSTRIES, LTD.**

HEAD OFFICE: 1-4-8, SHIBA DAIMON, MINATO-KU, TOKYO JAPAN

TELEPHONE: +81-3-3431-9971

FACSIMILE: +81-3-3436-6212